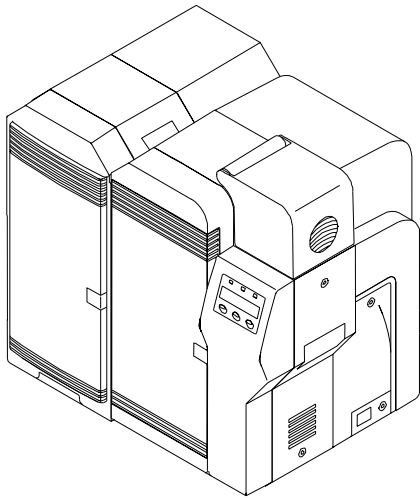


QuickSpecs

PR5302 Heat Roller



PR5302 Laminator shown attached to PR5300 Printer

The PR5302 Heat Roller (laminator) is a free standing laminator that is designed for operation with the PR5300 Nisca ID Card Printers.

The unit offers high-speed lamination for standard CR-80 cards and offers a state of the art RS-422 high-speed communication port interfaces with the printer and allows the printers firmware and driver to optimally configure the unit for a variety of laminate materials.

Additionally, the PR5302 can be ganged together to apply two different types of laminate materials. This solution is configured with one PR5300 printer and two PR5302 laminators - offering the utmost in security and protection for your application.

The PR5302 is delivered with standard factory default setting for the following laminate materials:

- Hardcoat (holopatch) material:
 - 1mil to .6mil thickness
 - Registered or non-registered (wallpaper)
 - Clear and custom holographic effects

- Softcoat (thinfilm) material:
 - .5mil thickness
 - Registered or non-registered (wallpaper)
 - Clear and custom holographic effects

Features of the PR5302 include sensitive position adjustment settings to optimally locate the laminate on the ID card. Temperature and speed settings allow the user to configure the laminator to just the correct setting for their specific laminate to ensure a perfect bond. Additionally, the PR5302 offers a "sleep" mode so the unit does not remain at operating temperature while not in use. This feature saves you money on your electric bill and increases the life of the heatlamp unit.



PR5302 Heat Roller

Specifications:

Printing system	Heat transfer printing
Print media	PVC
Media size	CR-80 (54x86mm)
Print area	Entire card surface
Printing speed	30sec max
Transfer ribbon	TEAMNisca protective / holographic material
Communication	RS422, printer to heat roller
Power source	AC Power source - AC100/120v 50/60Hz. AC Power source - AC 200/240v 50/60Hz.
Dimensions	400 x 180 x 300mm (h x w x l)
Weight	10kg max

Custom holographic effects available:

- Optical Variable Links:
 - Invisible UV fluorescent inks (short wave & long wave)
 - Dual UV fluorescent inks (one color short wave & different color long wave)
 - Color shifting inks (inks change colors as document is tilted)
 - Energy converting inks
- Optical Variable Devices:
 - Text effects: Micro, nano, fine line printing
 - Embedded hologram - invisible to the eye
 - Hidden images - required specific wavelength to display
 - Scrambled Indicia - requires custom lens over image to display
 - Image morphing & animation - images flipping, disappearing & reappearing

There are many effects available and can be customized to meet your needs. Please consult your reseller/VAR or a TEAMNisca sales person for more details.

Part Numbers:	Description:
PR5302D	Laminator for PR5300 Printer - thinfilm material
PR5302A	Laminator for PR5300 Printer - holopatch material
PR5302D200	Laminator for PR5300 Printer - thinfilm material - 200v
PR5302A200	Laminator for PR5300 Printer - holopatch material - 200v